

Installation Instructions



Materials Needed

2 - Sheets 19/32 Ply-wood sheeting board

2 - 2x8x8 lumber

20 - #8 x 2 x 3-inch length wood screws

Circular Saw or Sawzall Reciprocating Saw

Drill / Screw-driver

Tape Measure 8' min.

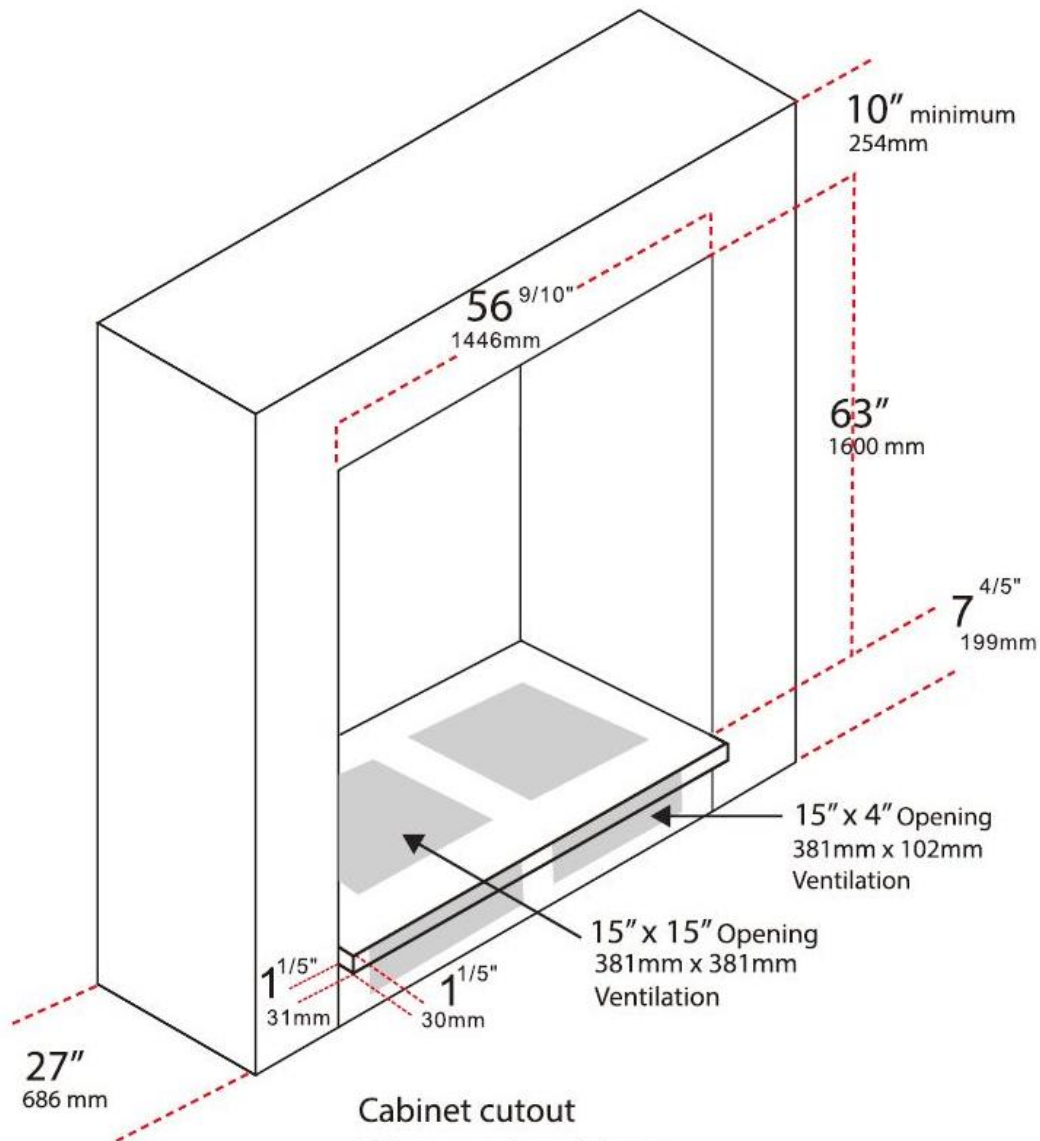
Framing Square

Right hand screw spiral point thread tap-taper size 1/8" or metric size M3 x 0.5



Installation Instructions

Cutting Measurements



Step 1

Cut 2x8x8 length to 56 7/8" (save the left-over boards)

Do this to both 2x8x8

Step 2

Cut remaining two boards to 23 1/2" (save two remaining pieces to use later)

Step 3

Use Framing Square to mark 15" x 4" box as shown on page 2. Drill hole in each corner.

Step 4

Repeat same step 3 on other side as shown on page 2

Step 5

Stand 56 7/8" board on side and align two 23 1/2" boards to left and right side - Pilot the screw holes for top and bottom with shown



Be sure to pilot holes on both left and right end of 56 7/8" board





*Lower the cost of living
with Forno!*

Step 6

Screw each board to the back-support board of frame on left and right. Top and Bottom with four #8 x 2 x 3-inch length wood screws



Step 7

Place second 56 7/8" board on front of frame.

Repeat process and pilot holes at top and bottom of each end shown page 2

Step 8

Screw front of frame on either end with four #8 x 2 x 3-inch length wood screws.

Step 9

Place frame into cabinet space. Be sure not to cover outlet

Step 10

Cut each 19/32" thickness sheet of ply-wood to length of 56 28/32"

Step 11

Cut each piece of ply-wood to width of 28 25/32"



*Lower the cost of living
with Forno!*

Step 12

Stack the two sheets of cut ply-wood and screw together at each corner

Step 13

Use Framing Square to mark 15" x 15" square as shown on page 2

Step 14

Repeat Framing Square to mark second 15" x 15" square on other side

Step 15

Drill hole at each corner of above squares

Step 16

Place ply-wood combined sheet on pedestal base

Step 17

Use Sawzall to cut out each 15" x 15" square. Discard wood

Step 18

Use two left over 2x8x8 pieces of wood to place under center of ply-wood base and screw in place from top

Step 19

Screw ply-wood base in each corner, center front and back to secure